


127 HP Trailer Mounted Hydraulic Power Unit

127 HP TRAILER MOUNTED HPU

Fast Facts	DOT Approved & Registered Trailer
<u>Horsepower:</u> 127 HP	
<u>Operating Pressure:</u> 2500 to 3500 PSI	
<u>Hydraulic Flow</u> 4 to 55 GPM	
<u>Hydraulic Tank</u> 100 Gal	
<u>Diesel Tank</u> 100 Gal	
<u>Weight:</u> 4500 LBS	
<u>Dimensions:</u> 176" x 96" x 82"	
<u>Hydraulic Oil:</u> 32 or 46 AW, BIO, NS	

- FEATURES**
- Engine
- Isuzu Industrial Engine
 - EPA Rated Engine with rubber engine shock points
 - Murphy engine monitoring system with data logger
 - Engine safety shutdown package
 - Double fuel and hydraulic filtration
 - Air inlet shutdown valve
 - Electric start with battery & weather safe battery box

- Safety
- Safety transport tie down eye pads
 - DOT registered and approved for highway towing
 - Variable pressure hydraulic relief valve
 - Heavy duty center point lift
 - Easy to read safety and operation labeling
 - Flame arrestor exhaust with heat shield with rain cap
 - 10 Ply trailer tires

- Hydraulics
- Single or twin circuit variable flow hydraulic controls
 - Largest in class 12 volt dual fan hydraulic cooler
 - Hydraulic oil filter with spin on cartridge
 - 100% Oil spill and fuel containment trailer
 - 5000 PSI hydraulic gauges
 - Screw together 3/4" or 1" supply and return fittings
 - Hydraulic oil level & temperature indicators
 - Low level hydraulic tank shutdown

- Other Features
- Powder coated frame & box tube lifting design
 - Fully adjustable Pintle or Bulldog hitch & trailer jack
 - 7K Torsion flex trailer axles - no leaf springs
 - Front & rear transport binder rings
 - 10" Oversized tank clean out ports
 - Integrated tool box or hydraulic reels available
 - Removable fuel and hydraulic tanks
 - Low point drains with shutoff valve

- Available Options
- Fully custom hydraulic circuits, pressures, and flow
 - Air or electric start; mechanical or electric shutdown
 - Integrated hydraulic hose reels
 - Optional hydraulic pressure washers

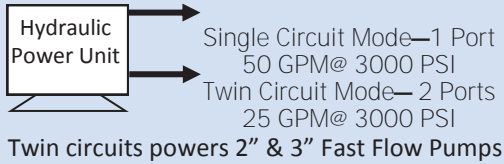
▶ Fast Flow - Hydraulic Power Units

Hydraulic Output Options

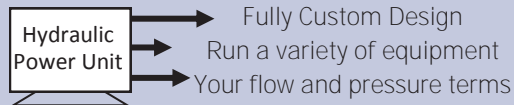
Single Circuit - 1 Output



Twin Circuit - 1 or 2 Outputs



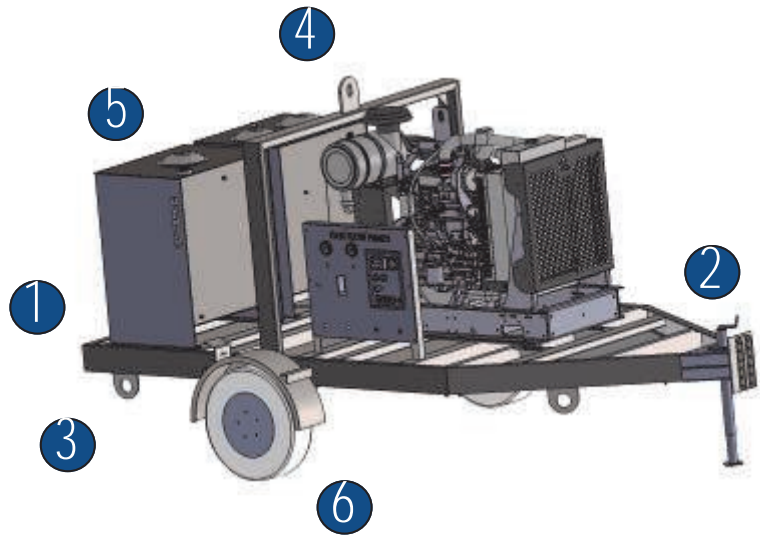
Multi-Circuit Custom Circuits (Diesel or Electric Available)



Power the Fast Flow Pumps you need plus operate auxiliary tools and equipment

Keeping it Cool.

Fast Flow power units have oversized hydraulic cooling systems that help handle the heat generated by heavy operating conditions, constant running and high ambient temperatures.



Fast Flow Standard Features

1. Removable Tanks	3. Transport Binder Rings	5. Tank Clean Outs
2. Spill Containment	4. H.D. Center Lift Point	6. Trailer 10 Ply Tires

Specialty features are standard

with **Fast Flow's** trailer-mounted hydraulic power units. Fluid spill containment, removable fuel and hydraulic tanks, and oversized tank clean outs, and DOT certification for highway towing come standard. Choose from an adjustable height bulldog or pintle hitch. Fast Flow trailer hydraulic power units are designed to be maintenance friendly resulting in less costly servicing and improved life span.

Fast Flow Engine Selector

127 HP ISUZU 4JJ1X

- Turbocharged Diesel
- 4 Cylinder Liquid Cooled
- (127 HP / 94 KW) Output
- 3.0 (L) Displacement
- 2500 Max RPM
- EPA Tier III

